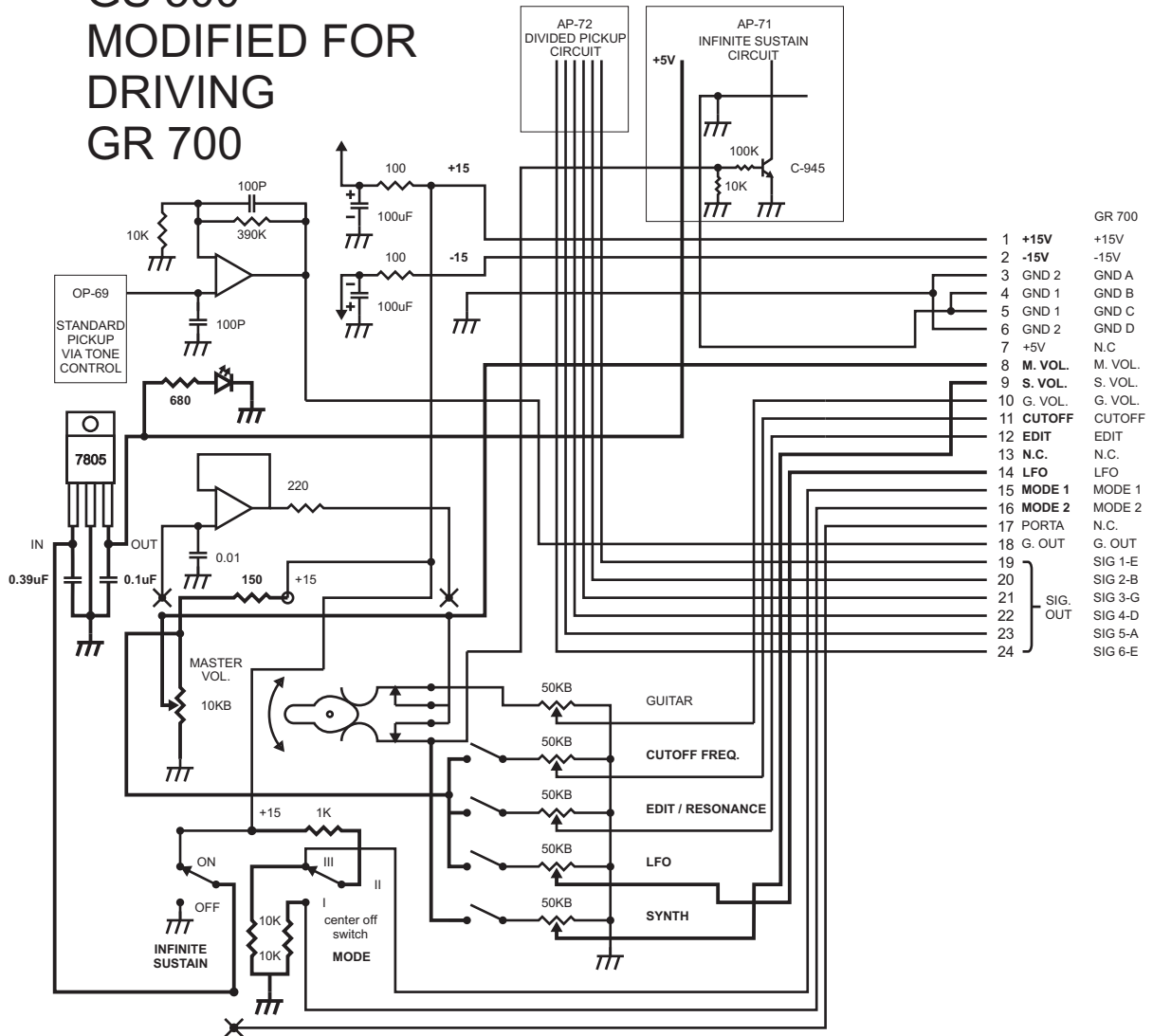


GS 500 MODIFIED FOR DRIVING GR 700



- GR 700
- | | | |
|----|---------|---------|
| 1 | +15V | +15V |
| 2 | -15V | -15V |
| 3 | GND 2 | GND A |
| 4 | GND 1 | GND B |
| 5 | GND 1 | GND C |
| 6 | GND 2 | GND D |
| 7 | +5V | N.C. |
| 8 | M. VOL. | M. VOL. |
| 9 | S. VOL. | S. VOL. |
| 10 | G. VOL. | G. VOL. |
| 11 | CUTOFF | CUTOFF |
| 12 | EDIT | EDIT |
| 13 | N.C. | N.C. |
| 14 | LFO | LFO |
| 15 | MODE 1 | MODE 1 |
| 16 | MODE 2 | MODE 2 |
| 17 | PORTA | N.C. |
| 18 | G. OUT | G. OUT |
| 19 | | SIG 1-E |
| 20 | | SIG 2-B |
| 21 | | SIG 3-G |
| 22 | | SIG 4-D |
| 23 | | SIG 5-A |
| 24 | | SIG 6-E |

