

 Roland



Guitar Controller

G-202/505 INSTRUCTIONS

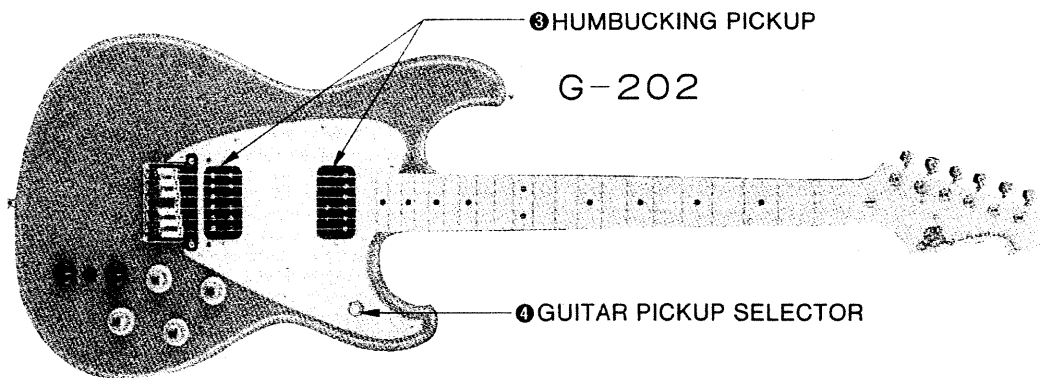
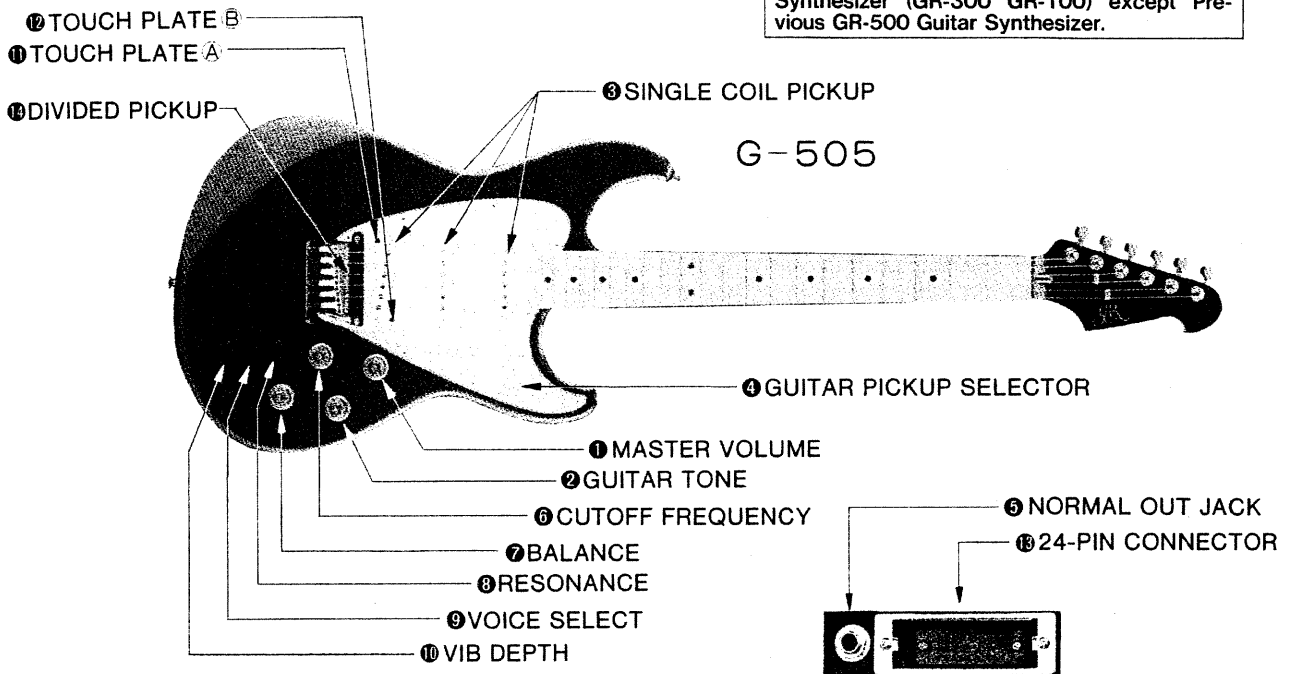
Roland



Guitar Controller

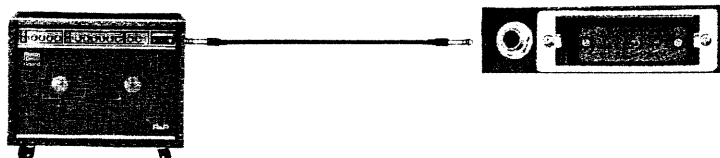
G-202/505 INSTRUCTIONS

G-202/G-505 can be used for Roland Guitar Synthesizer (GR-300 GR-100) except Previous GR-500 Guitar Synthesizer.

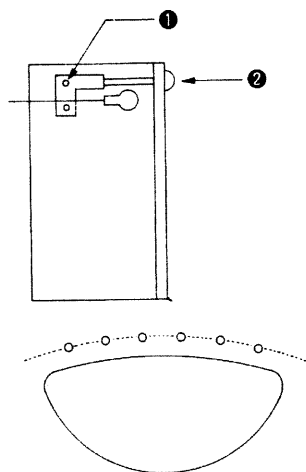


• In case of using such as ordinary electric guitar, switches or volumes of except No. ① - ⑤ is no effect.

• The function of No. ⑥ to ⑩ are described in GR-100 GR-300 Instruction Manual.



● Bridge Adjustment



Respectively adjust the string height or length to proper height or length.

① String Height Adjustment

With attached hex-wrench, adjust the string height by rotating the height adjustment screw. By turning this screw clockwise the string height become to raise.

Adjust each bridge height to same height by according to the curve of guitar body.

*When you adjust the bridge height or replace the strings, it is necessary to check the string that they are properly aligned with the center of the divided pickup heads.

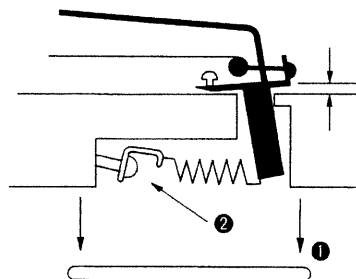
Standard String Height (at the open 14th)

| | 1st | 2nd | 3rd | 4th | 5th | 6th |
|--------------------|-----|-----|-----|-----|-----|-----|
| String Height (mm) | 1.5 | 1.6 | 1.7 | 1.8 | 1.9 | 2.0 |

② String Length (Octave Adjustment)

Test intonation at the 12 fret whether the string is sharp or flat in terms of overall intonation. If a string is going sharp at the 12 fret, move back the saddle to add string length by turning the intonation adjustment screw at the bridge frame. If flat, forwards.

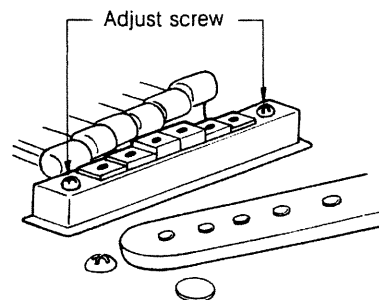
● Tremolo Unit Adjustment (G-505 ONLY)



After turning the guitar, the distance between bottom of tailpiece and surface of guitar body must be within 2 – 2.5 mm. If not, for example when bridge was extremely moved or the different gauge was used, adjust the distance to within 2 – 2.5 mm.

- ① Remove the cover of the reverse side of the guitar.
- ② Rotate spring adjustment screw with screwdriver. By rotating this screw counterclockwise this distance can be extend.
- ③ Note that the guitar tuning is detuned by adjusting tremolo unit. Otherwise, repeat tuning playing pitch and adjusting tremolo unit.

● Divided Pickup Adjustment



With strings tuned to playing pitch raise or lower divided pickup by turning Adjust screws so that clearances between pickup head top and bottom of string are as follows when strings are pressed at 21st fret.

- 1st string – 0.5 mm
- 6th string – 0.8 mm

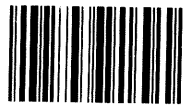
Specifications

| | G-202 | G-505 |
|---------------|------------|------------|
| BODY | Ash | Ash |
| NECK | Maple | Maple |
| MACHINE HEADS | PG-112 | PG-112 |
| TAIL PIECE | TP-132 | TP-142 |
| PICKUP | PU-120 | PU-134 |
| COLOR | WH, RD, BL | BS, MR, MB |

 Roland®

10138

UPC 10138



10991

Roland