

# RMC-1

## RRC TO MIDI CONVERTER

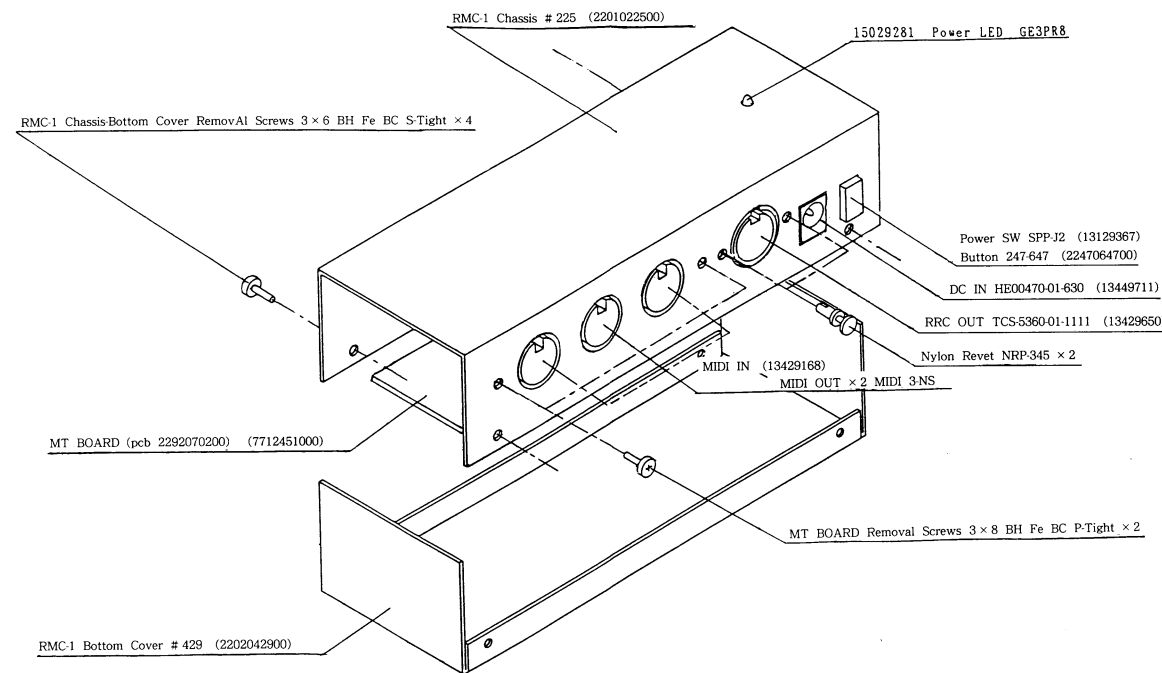
# SERVICE NOTES

First Edition

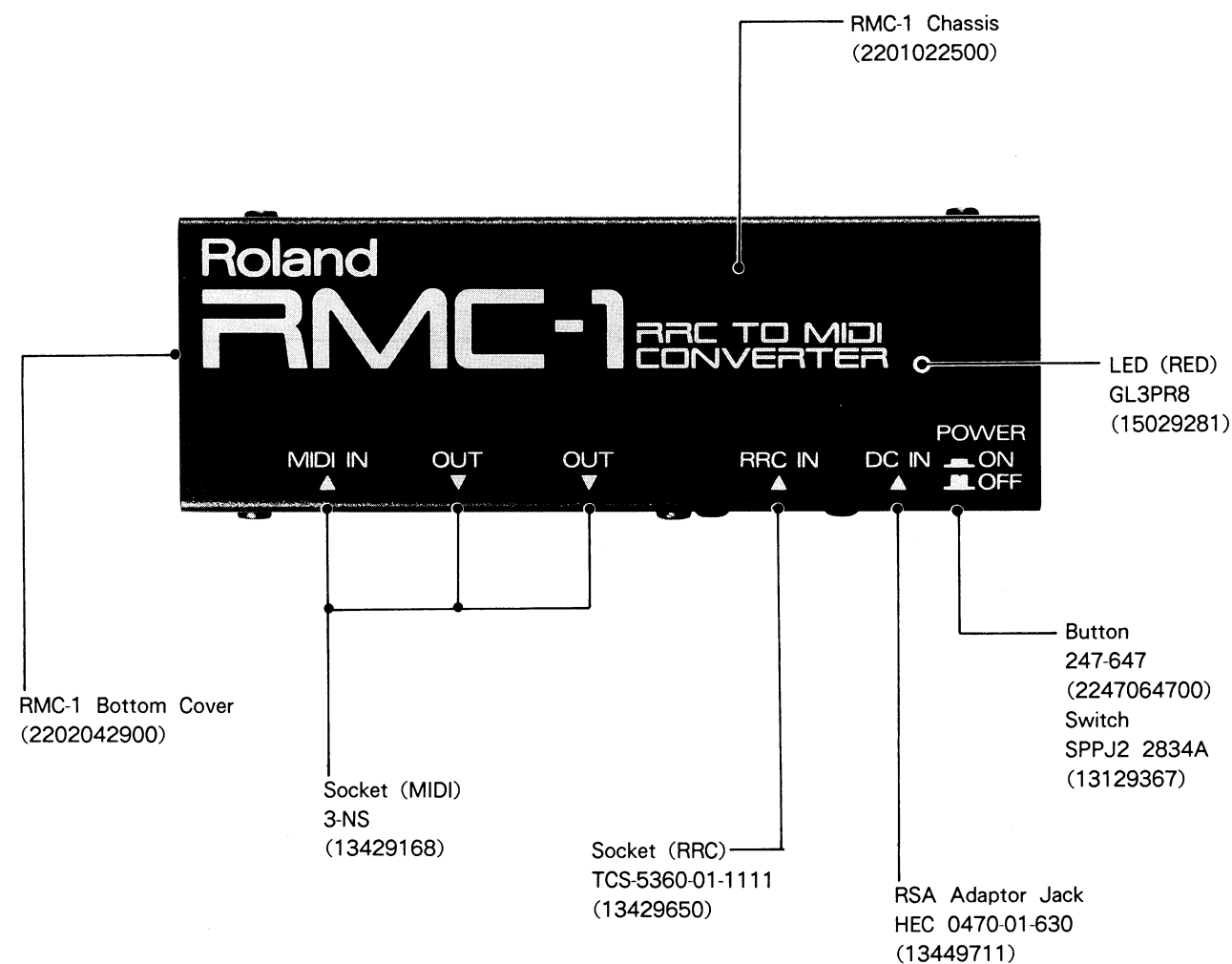
### SPECIFICATIONS RMC-1

- Power.....9V DC (AC Adaptor : BOSS PSA-100, 120, 220 or 240) Optional.
- Current Draw...7mA + 9V DC
- Dimensions ..... 145 (W) × 34 (H) × 54 (D) mm  
5-11/16 (W) × 1-5/16 (H) × 2-1/8 (D) inch
- Weight .....255g / 9oz
- Options.....AC Adaptor (BOSS PSA-100, 120, 220 or 240)

### EXPLODED VIEW (分解図)



### PHOTO : RMC-1



### PARTS LIST RMC-1

**CONSIDERATIONS ON PARTS ORDERING**  
 When ordering any parts listed in the parts list, please specify the following items in the order sheet.  

QTY	PART NUMBER	DESCRIPTION	MODEL NUMBER
Ex. 10	22575241	Sharp Key	C-20/50
15	2247017300	Knob (orange)	DAC-15D

 Failure to completely fill the above items with correct number and description will result in delayed or even undelivered replacement.  
 パーツ発注に際すお願い  
 オーダーシートには、必ず下記の4項目は正確に記入して下さい。(例外は除く)  

必要数	パーツナンバー	品名	使用機種
例) 10	22575241	Sharp Key	C-20/50
15	2247017300	Knob (orange)	DAC-15D

 もし記入漏れ、誤記等がある場合、必要部品が発送出来なかったり、大幅な遅れの原因になります。御協力をお願いします。

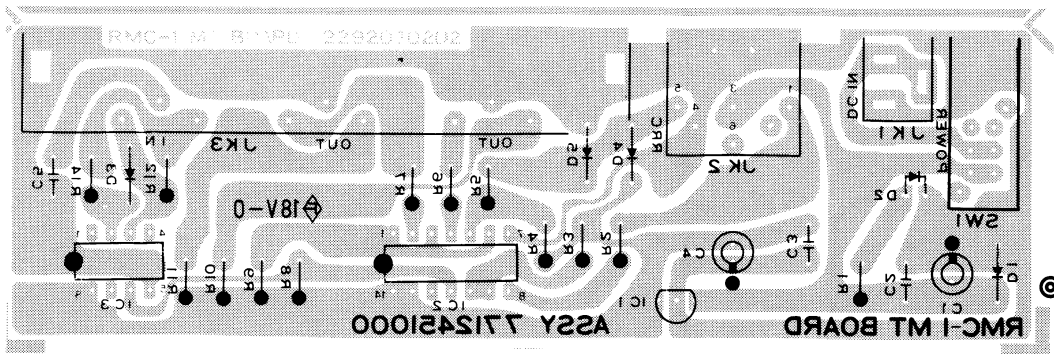
PANEL CASING			
2201022500	RMC-1 Chassis		
2202042900	RMC-1 Bottom Cover		
KNOB, BUTTON			
2247064700	Button 247-647		Power SW
SWITCH			
13129367	SPPJ2 2834A		Power SW
JACK, SOCKET			
13429168	MIDI 3-NS		MIDI
13429650	TCS-5360-01-1111		RRC IN
13449711	HEC 0470-01-630		DC IN
PCB ASSY			
7712451000	MT BOARD (pcb 2292070202)		
IC			
15169334	74LS05P	TTL Hex Inverters	IC2 on MT Board
15199109	78L05	3-terminal Voltage Regulator	IC1 on MT Board
DIODE, LED, PHOTO COUPLER			
15019209	S5500G		
15019103	1S2473		
15029281	GL3PR8	LED (red)	
15229706	PC910	Photo Coupler	IC3 on MT Board
ACCESSORIES			
*****	Owner's Manual (English)		
*****	Owner's Manual (Japanese)		

1 2 3 4 5 6 7 8 9 10 11 12 13 14 15 16 17 18 19 20 21 22 23 24 25 26 27 28 29 30 31 32 33 34 35 36 37 38 39 40

A  
B  
C  
D  
E  
F  
G  
H  
I  
J  
K  
L  
M  
N  
O  
P  
Q  
R  
S  
T  
U  
V

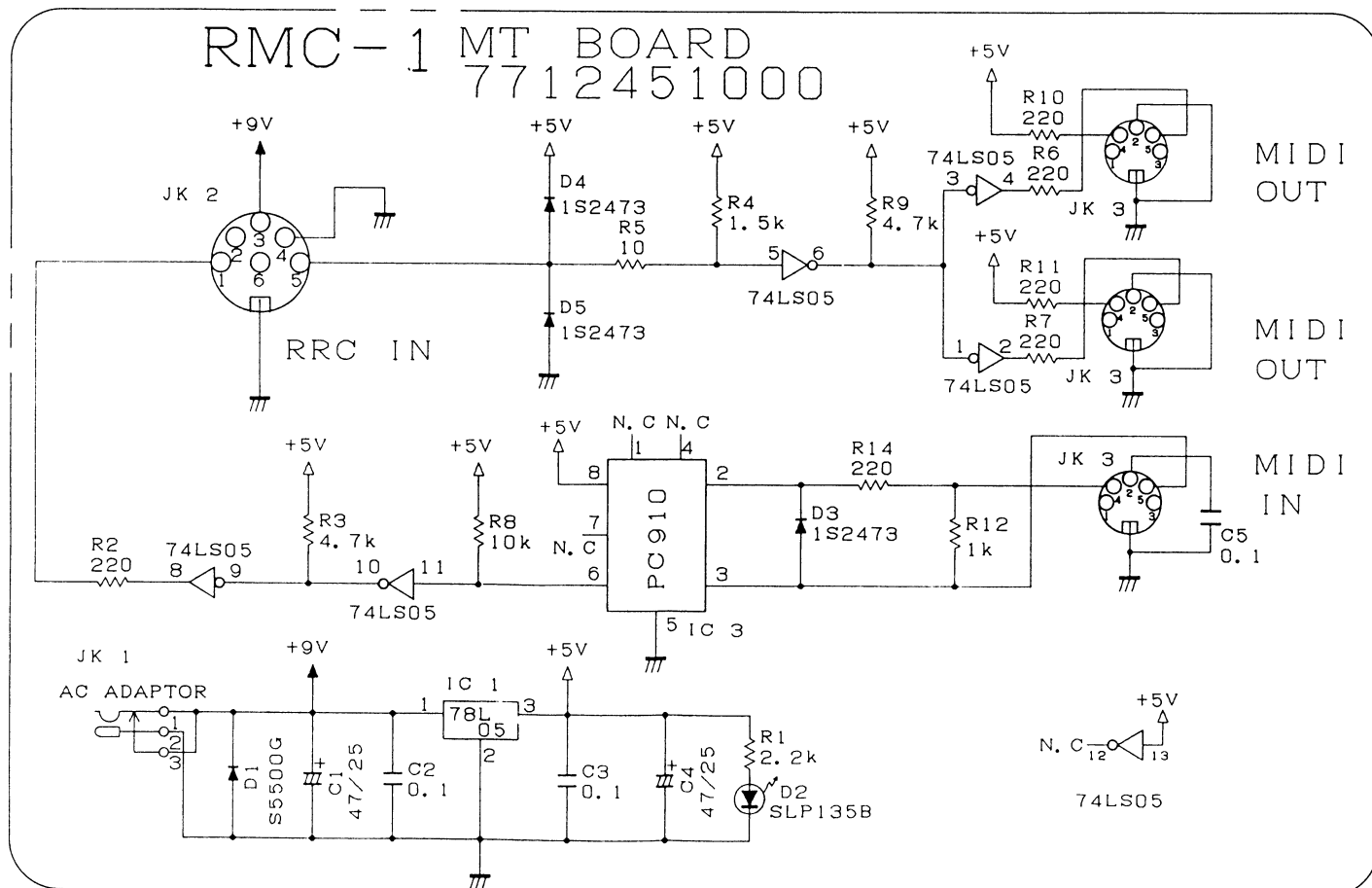
**MT BOARD**

Assy 7712451000  
(pcb 22920702 02)



View from foil side.

**CIRCUIT DIAGRAM**



**HISTORY OF PCB CHANGES 基板変更履歴**

**FC-100mk II (CPU Board)**

EFF. SNo 実施製番	PCB No.	Changes and Reasons	変更内容/理由
ZA00100 1 ZA32549	pcb 2292070100	*From SNo. ZA00100 on, a wire rod attached to the B5 lug was installed between the heat sink of L78MR05 (IC1) and the chassis GND. to short the EMI 3, 4, 5 jack GND side and chassis GND side terminals. (There is no EMI insertion direction.)  Reason: To prevent CPU irregularities due to static electricity.	*SNo. ZA00100からB5 lugを付けた線材をIC1 (L78MR05)のヒートシンクとシャーシのGND間に取り付け、EMI 3, 4, 5のJack GND側とシャーシ GND側との端子をショートさせています。(EMI挿入の向きはなし.)  理由: 静電気によるCPUの暴走を防ぐため。
Prior to ZA32550	pcb 2292070101	*Position change of pattern, silk, resist and parts (C15, R37, R38)  Reason: Because there are parts not inserted by automatic insertion machines and because of EMI pattern change.  *The wire rod with a B5 lug between the heat sink of L78MR05 (IC1) and the chassis GND remains the same.	*パターン、シルク、レジスト、部品の位置変更 (C15, R37, R38)  理由: 部品の自挿機で入らない部品があったためと EMIのパターン変更するため。  *IC1 (L78MR05)のヒートシンクとシャーシ GND間のB5 lugを取り付けた線材はそのままです。

**RMC-1 (MT Board)**

EFF. SNo. 実施製番	PCB No.	Changes and Reasons	変更内容/理由
ZA00100 1 ZA31449	pcb 2292070200 or pcb 2292070201	*From SNo. ZA00100 on, diodes are installed at 2 locations on the foil side.  Reason: To protect IC2 (74LS05) from static electricity.	*SNo. ZA00100からダイオード2ヶ所裏付けされています。  理由: 静電気からIC2 (74LS05)を保護するため。
Prior to ZA31450	pcb 2292070202	*Change of pattern, silk and resist Addition of D4 and D5 (silk)  Reason: To eliminate back installation of diodes.	*パターン、シルク、レジスト変更 D4, D5 (シルク)追加。  理由: ダイオードの裏付けをなくすため。