

# US-2 SERVICE NOTES

First Edition

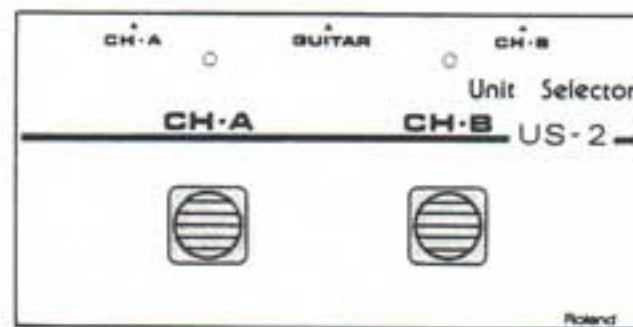
Dimensions --- 200(W) x 70(H) x 120(D)mm

Weight ----- 1kg

## MODIFICATION

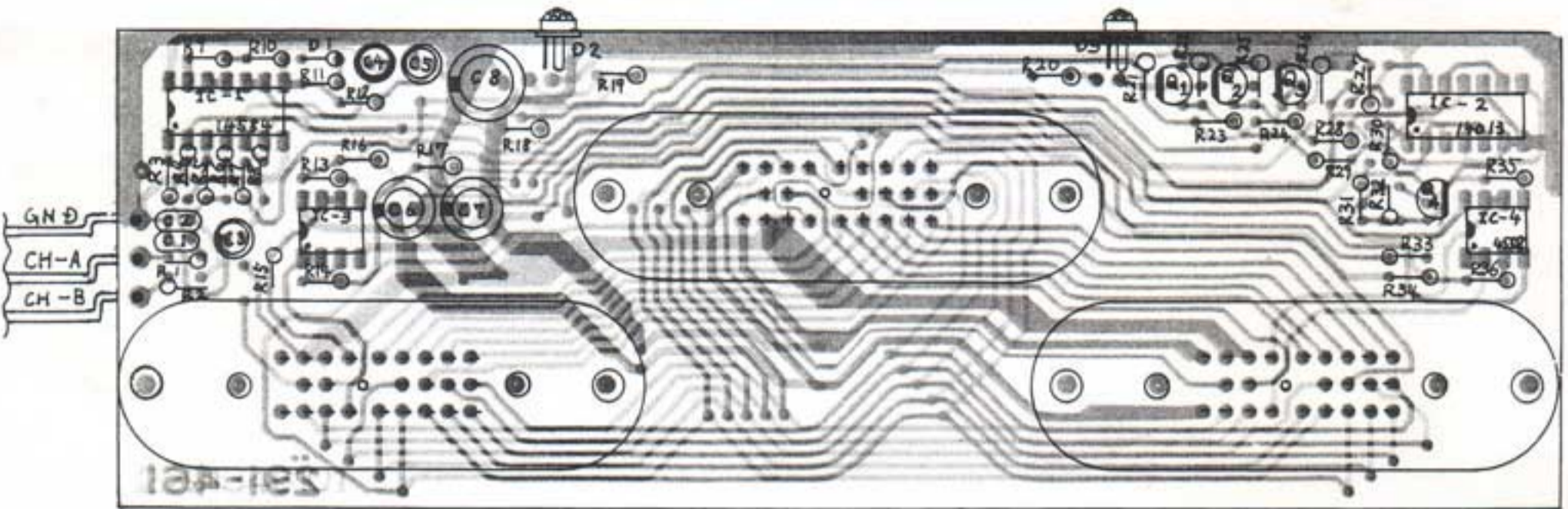
R1, R2: 10k to 47k      R3, R5: 100k to 4.7k      R4, R6: 100k to 470k  
R37, R38: 0 to 100k      IC1: TC4069UBP to HD14584B

Eliminates possible flip-flop mistrigger due to variation in foot switch contacts.



## PARTS LIST

2221352801	Panel N-528	15159105H0	HD14013BP	IC
2281327001	Chassis N-270	15189103	NJM4558	IC
2235333100	Base (foot) N-331 50 x 50mm	15159303H0	HD14584B	IC
2312390300	Switch N-903	15129113	2SC1740-R	Tr
13429405	Connector SLC-1204-2324F	15019108	1S2473VE	Di
13439605	Connector SLC-1204-2324M	15029102	TLR-105	LED
12139303	Lock shell SLC-1204-24L2			
7923102005	PCB assy OP9231-020			
2291346101	PCB less parts			
2215051800	Long nut N-518 3 x 15mm			

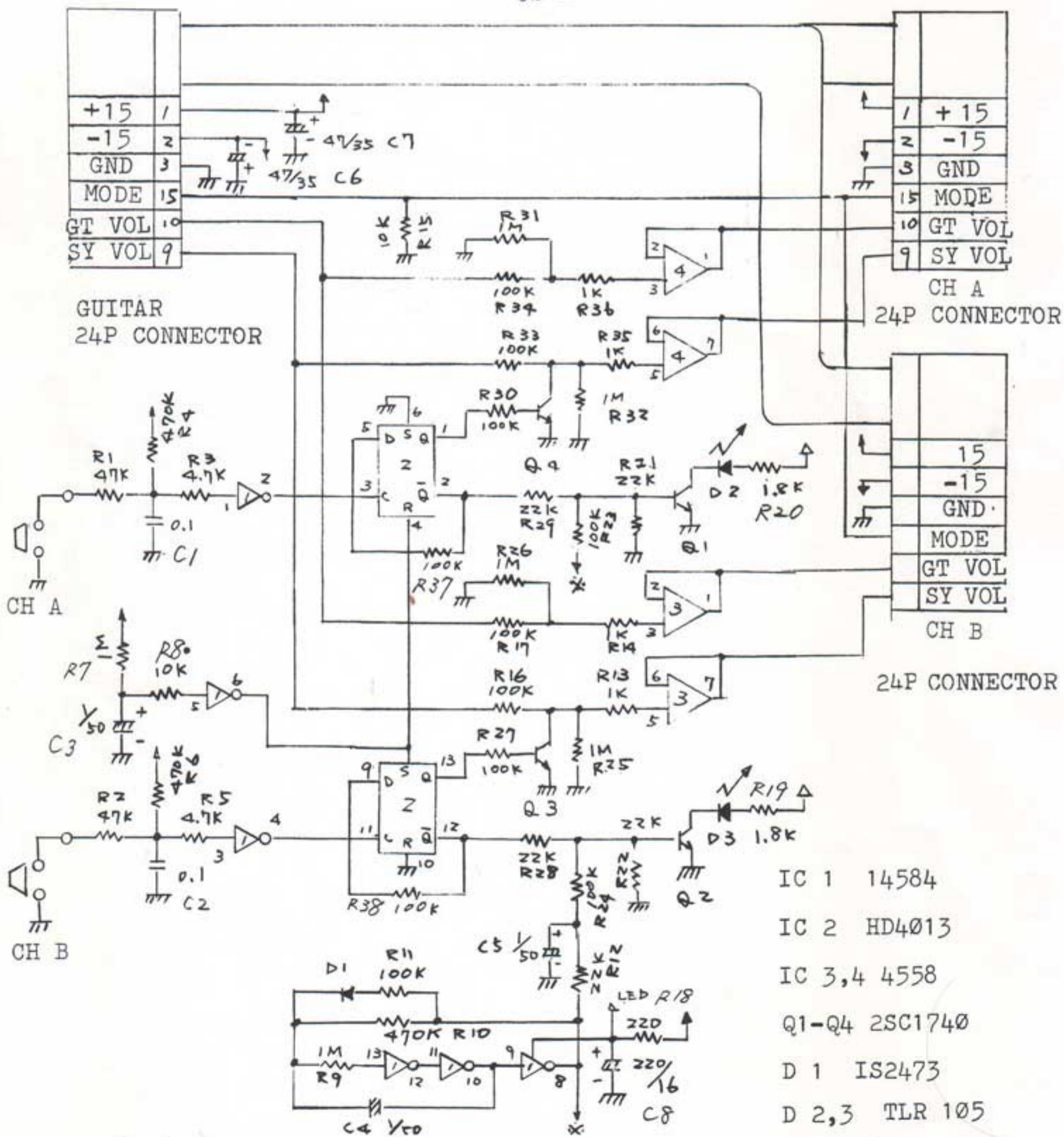


CH - B

GUITAR

CH - A

US-2



- IC 1 14584
- IC 2 HD4013
- IC 3,4 4558
- Q1-Q4 2SC1740
- D 1 IS2473
- D 2,3 TLR 105